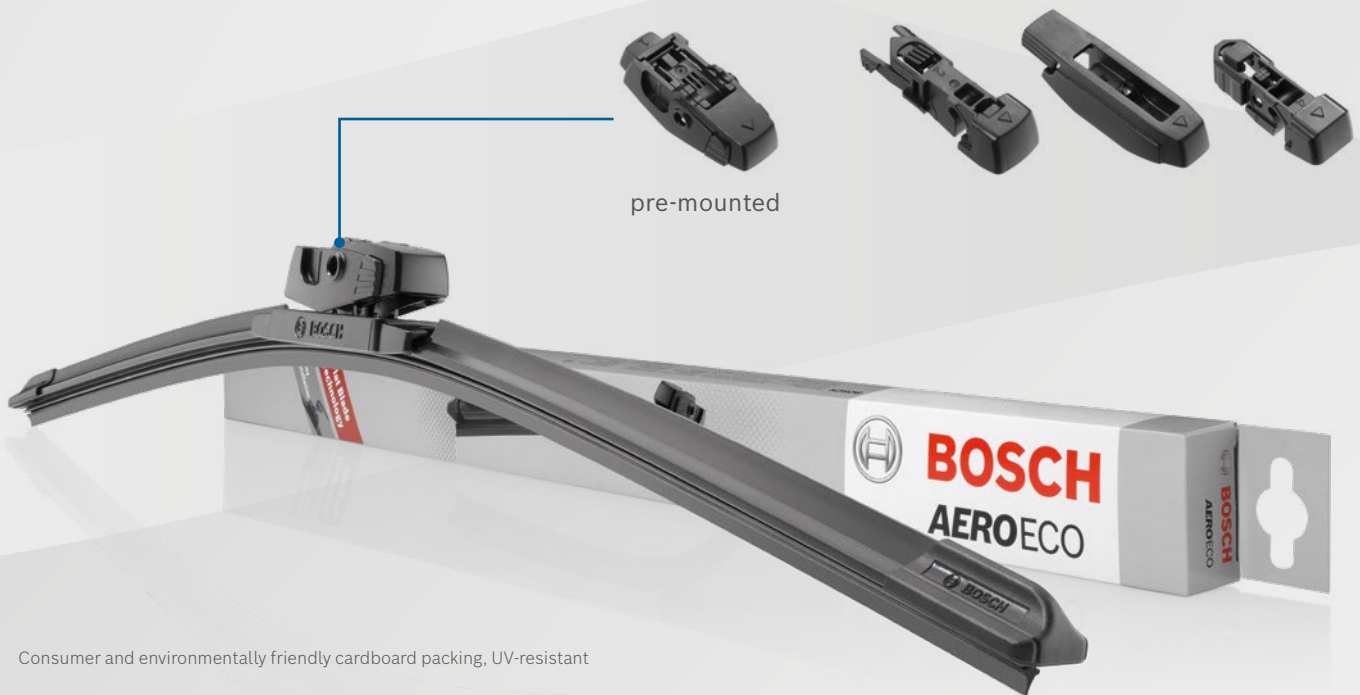


**BOSCH**

Invented for life

Bosch AeroEco

Easy mounting, easy installation



Consumer and environmentally friendly cardboard packing, UV-resistant

Features and benefits

- ▶ AeroEco perfectly fits all common OE and hook wiper arm types
- ▶ Less program complexity thanks to reduction of part numbers
- ▶ Value-based solution according to high Bosch quality and safety standards

Product range

Short Code	Part number	Length	
AE 14	3397015556	350 mm	14"
AE 15	3397015557	380 mm	15"
AE 16	3397015558	400 mm	16"
AE 18	3397015559	450 mm	18"
AE 19	3397015560	480 mm	19"
AE 20	3397015561	500 mm	20"
AE 21	3397015562	530 mm	21"
AE 22	3397015563	550 mm	22"
AE 24	3397015564	600 mm	24"
AE 26	3397015565	650 mm	26"
AE 28	3397015566	700 mm	28"



Program information

Program achieves

85% coverage

of the car parc in Europe despite the reduction from 6 to 4 adapters – pre-mounted double lock adapter combines hook and side lock adapter

Bosch AeroEco

Product details

Easy installation thanks to a modular adapter system, clearly designed installation instructions and installation videos.

Double Lock

Most important adapter is pre-mounted

Improved wiping performance and less wind noise

Thanks to a dual beam technology and attractive spoiler design – according to Bosch quality standards

Double Lock Adapter
Combines hook and side lock adapter

Effective cleaning

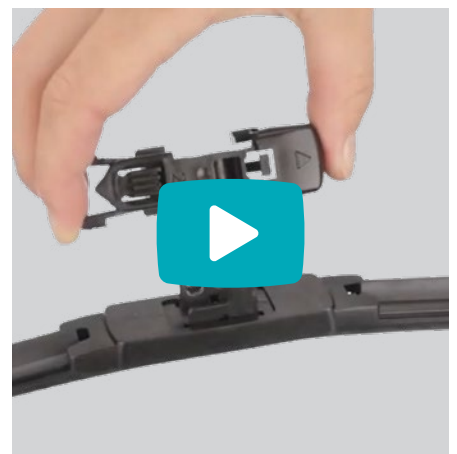
Thanks to a natural rubber with graphite coating



More environmentally friendly – thanks to fewer adapters and less recycling packaging material



Clearly designed installation instructions for easy mounting



Installation video demonstrates easy installation



Find the right wiper:
www.boschwiperblades.com